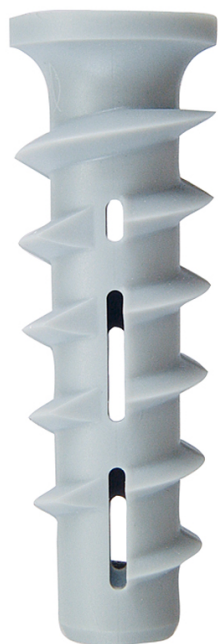


## The versatile nylon anchor for aerated concrete



### BUILDING MATERIALS

- Aerated concrete
- Solid panel made from gypsum



### APPROVALS



### ADVANTAGES

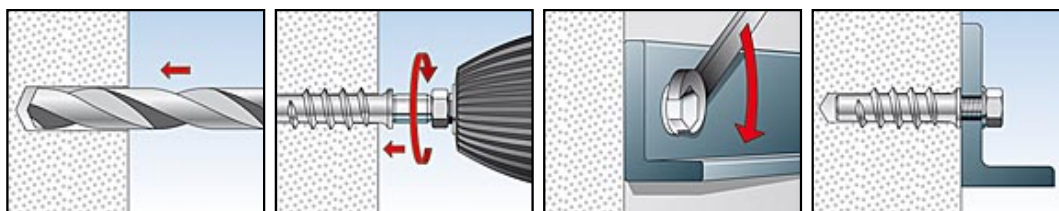
- The FTP K is suitable for both wood screws and metric screws, and thus offers flexibility in screw choice.
- The spiral-shaped outer thread taps itself into the soft aerated concrete with a positive fit, thus ensuring a secure hold.
- Setting with the FTP EK setting tool requires only a small amount of force. For a convenient installation.
- The special geometry allows for an almost expansion-force-free anchoring. This allows for small edge and spacing distances, and avoids splitting in the case of plastered surfaces.

### APPLICATIONS

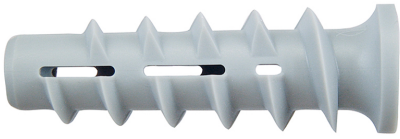
- Pictures
- Lighting
- Shelves
- Mirror cabinets
- Letter boxes
- Signs
- Motion detectors
- Cable and pipe clips
- Stand-off installations

### FUNCTIONING

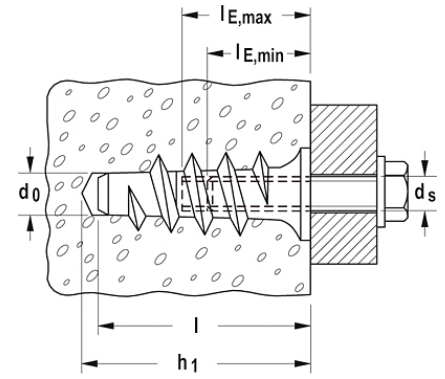
- The FTP K is suitable for pre-positioned installation.
- Set the FTP K with setting tool FTP EK. The aircrete anchor taps itself into the aerated concrete with a positive fit during the installation process.
- Suitable for wood and metric screws with diameter 4 to 10 mm.
- Use a low torque when installing.



## TECHNICAL DATA



Turbo aircrete anchor FTP K



Article name	Art.-No.	Drill hole diameter $d_0$ [mm]	Woodscrew diameter $d_s$ [mm]	Metric screw M
<b>FTP K 4</b>	<b>078411</b>	8 - (10)	4 - 4,5	M 4
<b>FTP K 6</b>	<b>078412</b>	8 - (10)	5 - 6	M 5 - 6
<b>FTP K 8</b>	<b>078413</b>	10 - (12)	7 - 8	M 8
<b>FTP K 10</b>	<b>078414</b>	12 - (14)	9 - 10	M 8 - 10

## LOADS

### Turbo Aircrete anchor FTP K

Highest recommended loads<sup>1)</sup> for a single anchor in aerated concrete and plaster walls. The given loads are valid for screws with the specified diameter.

Type			FTP K4	FTP K6	FTP K8	FTP K10
Screw diameter	Ø	[mm]	4	5-6	8	8-10
Edge distance	c <sub>min</sub>	[mm]	100	100	150	200
<b>Recommended loads in the respective base material F<sub>rec</sub><sup>2)</sup></b>						
Aerated concrete	PP2; PB2 (≥ 2,5 N/mm <sup>2</sup> )	[kN]	0,15	0,20	0,30	0,40
Aerated concrete	PP4; PB4 (≥ 5,0 N/mm <sup>2</sup> )	[kN]	0,25	0,30	0,40	0,50
Aerated concrete	PP6; PB6 (≥ 7,5 N/mm <sup>2</sup> )	[kN]	-	-	-	-
Plaster wall		[kN]	-	-	0,29	0,54

<sup>1)</sup> Includes the safety factor 5.

<sup>2)</sup> Valid for tensile load, shear load and oblique load under any angle.