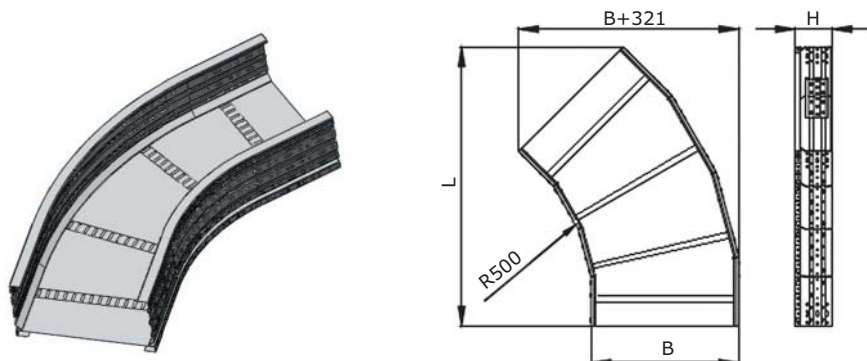


Системные аксессуары листового типа

Угол горизонтальный листовой 45°



Назначение:

- поворот трассы на 45° в горизонтальной плоскости.

Высота Н, мм	Ширина основания В, мм	Код, исп. 1	Код, исп. 2	Код, исп. 4
80	200	USC682	USC682HDZ	USC682ZL
	300	USC683	USC683HDZ	USC683ZL
	400	USC684	USC684HDZ	USC684ZL
	500	USC685	USC685HDZ	USC685ZL
	600	USC686	USC686HDZ	USC686ZL
	700	USC687	USC687HDZ	USC687ZL
	800	USC688	USC688HDZ	USC688ZL
	900	USC689	USC689HDZ	USC689ZL
	1000	USC680	USC680HDZ	USC680ZL
100	200	USC612	USC612HDZ	USC612ZL
	300	USC613	USC613HDZ	USC613ZL
	400	USC614	USC614HDZ	USC614ZL
	500	USC615	USC615HDZ	USC615ZL
	600	USC616	USC616HDZ	USC616ZL
	700	USC617	USC617HDZ	USC617ZL
	800	USC618	USC618HDZ	USC618ZL
	900	USC619	USC619HDZ	USC619ZL
	1000	USC610	USC610HDZ	USC610ZL
150	200	USC652	USC652HDZ	USC652ZL
	300	USC653	USC653HDZ	USC653ZL
	400	USC654	USC654HDZ	USC654ZL
	500	USC655	USC655HDZ	USC655ZL
	600	USC656	USC656HDZ	USC656ZL
	700	USC657	USC657HDZ	USC657ZL
	800	USC658	USC658HDZ	USC658ZL
	900	USC659	USC659HDZ	USC659ZL
	1000	USC650	USC650HDZ	USC650ZL
200	200	USC622	USC622HDZ	USC622ZL
	300	USC623	USC623HDZ	USC623ZL
	400	USC624	USC624HDZ	USC624ZL
	500	USC625	USC625HDZ	USC625ZL
	600	USC626	USC626HDZ	USC626ZL
	700	USC627	USC627HDZ	USC627ZL
	800	USC628	USC628HDZ	USC628ZL
	900	USC629	USC629HDZ	USC629ZL
	1000	USC620	USC620HDZ	USC620ZL