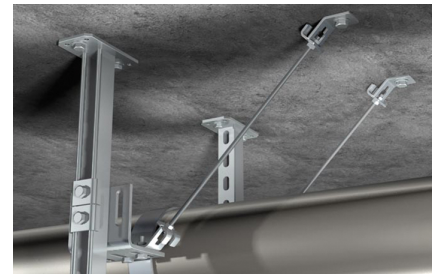
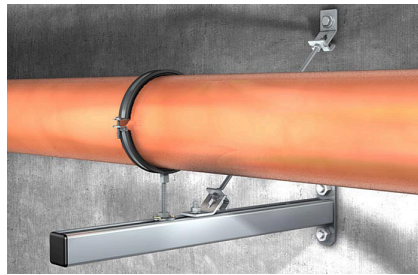


Construction element - Threaded rod bracket FSB 45°



ADVANTAGES/BENEFITS

- The anchoring element's socket allows for the fast insertion of a pre-mounted M10 threaded rod with nut
- The hole in the base plate allows for fixing directly onto a wall or ceiling, or onto a mounting rail

APPLICATIONS

- 45° element for anchoring with M10 threaded rods

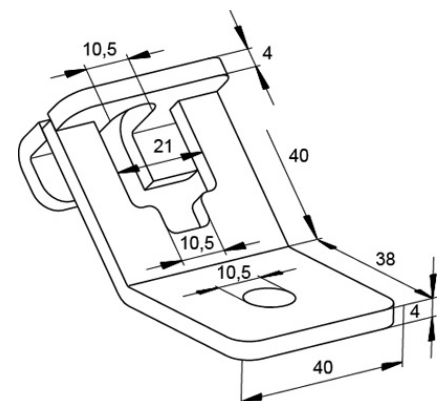
PROPERTIES

- Material: Steel DD11 (material no. 1.0332) acc. to DIN EN 10111
- Zinc plating: electro zinc plated, min. 5 µm

TECHNICAL DATA



Threaded rod bracket FSB 45°



Article name	Art.-No.	Sales unit [pcs]
FSB 45°	071269	20

LOADS

