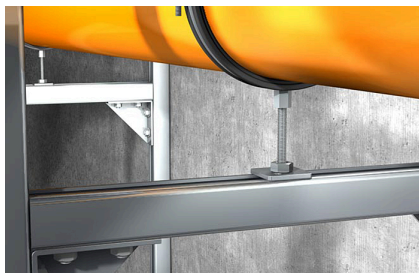
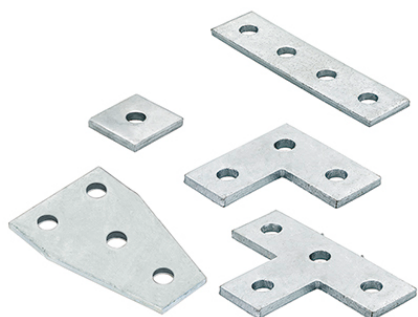


## Construction elements - Brackets FFF



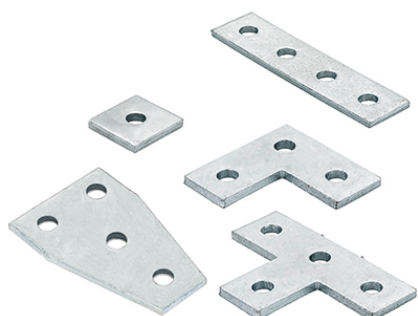
### APPLICATIONS

- Connecting elements for the joining or strengthening of simple rail constructions

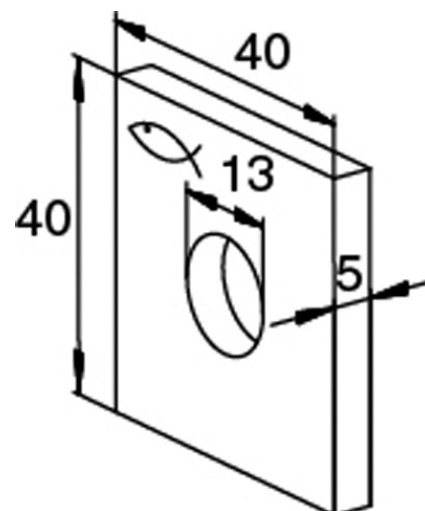
### PROPERTIES

- Material: steel S235 JR (material no.10037) acc. to DIN EN 10025
- Zinc plating: electro zinc plated, min. 5 µm

### TECHNICAL DATA



Bracket FFF



Article name	Art.-No.	Sales unit
		[pcs]
FFF 1	504494	25
FFF 3L	504498	25
FFF 4	504499	25
FFF 4T	504500	25
FFF 4D	504368	25